

Alfa Zeno Series Pizza Ovens

ITEM: 59331 59328
MODEL: PE-IT-0004-E PE-IT-0006-E



59331 (without stand)



59328 (with stand)

Created to cook pizzas without compromises

The Zeno Series professional electric pizza ovens reach up to 500°C in 90 min., allowing pizza makers to churn out various types of pizzas with impeccable results.

Regardless whether it's a classic Neapolitan pizza, a Roman pizza, by the slice, contemporary, American or gourmet, every pizza will consistently be cooked to perfection.

The Zeno Series' technical features are designed to achieve excellence, combining exceptional performance with minimal energy expenditure.

FEATURES:

- **Ready to use**

Does not require masonry work and is immediately ready to churn out pizzas that are consistently cooked to perfection.

- **Touch Screen control**

The intuitive and essential interface allows full control of the oven and heat management in the various zones.

- **Independent modulation**

Separate ceiling and floor power management for precise and optimal heat direction and better cooking quality.

- **Fumes collection**

A ducting system that allows the fumes to exit safely and cleanly, without compromising the oven's internal components.

- **Energy-efficient**

Technology, optimized Alfa design and triple insulation guarantee concrete energy savings without sacrificing high cooking performance.

- **Built-in Installation**

Alfa professional pizza ovens can be installed in built-in mode, keeping in mind to leave adequate space for maintenance.

Technical Specification

Features	Zeno Series - 4 Pizzas (Without stand)	Zeno Series - 6 Pizzas (With stand)
Item	59331	59328
Model	PE-IT-0004-E	PE-IT-0006-E
Pizza Capacity	4	6
Pizza Production (per hour)	60	80
Material	Stainless Steel, iron sheet, Ceramic fiber	Stainless Steel, iron sheet, Ceramic fiber
Power	13kW	18 kW
Amps	19.5 A	19.5 A
Electrical	240V / 60Hz / 3Ph	240V / 60Hz / 3Ph
Power break	10kA	10kA
Heating Time (to reach 500°C / 932°F)	75 minutes	120 minutes
Max consumption	500°C (932°F)	500°C (932°F)
Cooking Floor	29.5" x 29.5" (750 x 750 mm)	29.5" x 44.3" (750 x 112.5 mm)
Net Weight	672 lb. (305 kg.)	1058 lb. (480 kg.)
Net Dimensions (WDH)	40.9" x 45.7" x 33.5" (1040 x 1160 x 850 mm)	40.9" x 60.4" x 33.5" (1040 x 1535 x 850 mm)
With Stand Dimensions	-	H = 68.9" (1750 mm)
Gross Weight	800lb. (363kg.)	1260 lb. (571 kg.)
Gross Dimensions	53" x 44.6" x 37.4" (1350 x 1135 x 950 mm)	49.2 x 50 x 43.3" (1250 x 1270 x 1100 mm)

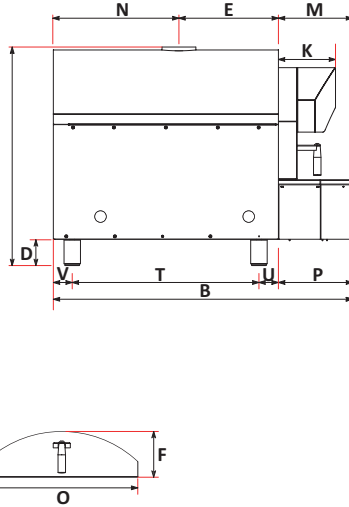
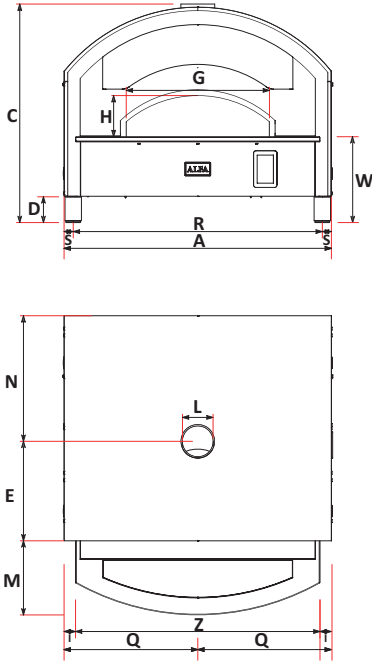
Accessories

Item	Description	Compatible
59329	Black Stand for Zeno Series 4	59331



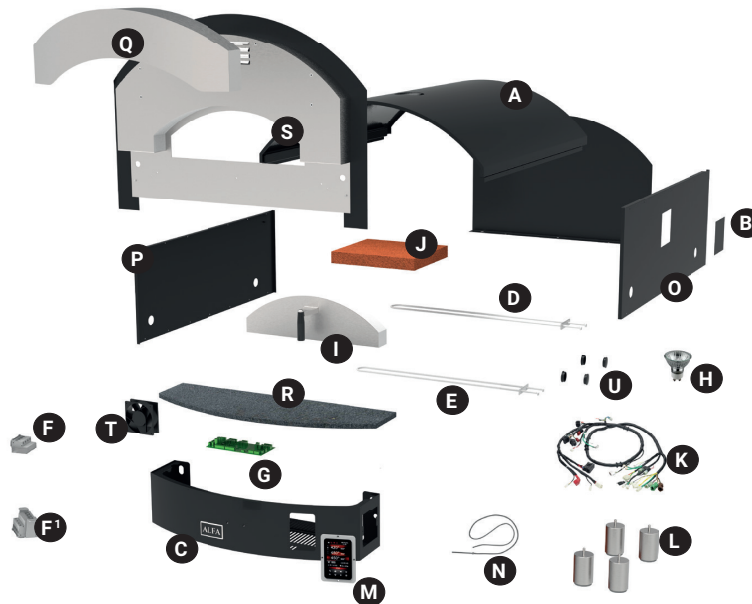
Stand (Black)

Technical Drawing - 59331



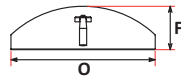
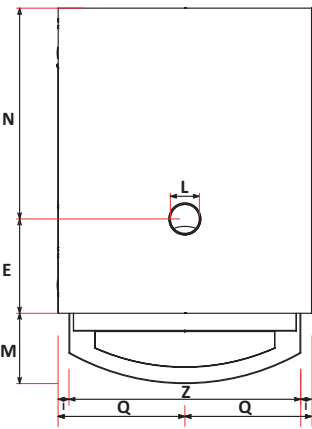
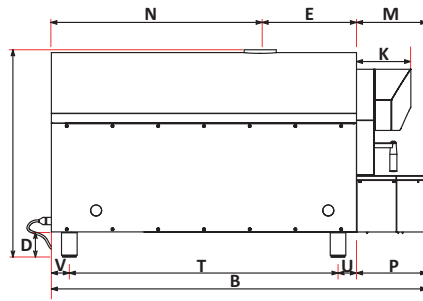
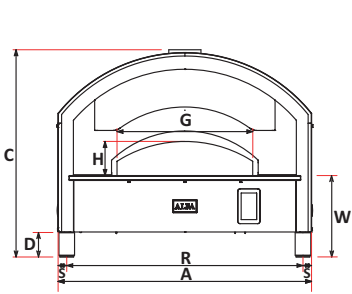
	cm	inch		cm	inch
A	104	40,9	N	48,7	19,2
B	116	45,7	O	59	23,2
C	85	33,5	P	28,8	11,3
D	10	3,9	Q	51,85	20,4
E	38,6	15,2	R	96,6	38
F	17,75	7	S	3,55	1,4
G	55,5	21,9	T	72,4	28,5
H	14	5,5	U	7,55	3
I	4,5	1,8	V	7,33	2,9
K	22,2	8,7	W	33,3	13,1
L	12	4,7	Z	94,8	37,3
M	28,8	11,3			

Description		Code
Descrizione		Codice
External shell Up Carter esterno SUP	A*	R-CRT-1-033
Lamp shell Carter lampada	B**	CRT02003900
Logo Alfa (v1.0)	C	D14PLAC-ALFA
Higher resistor Resistenze superiori	D	R-CMB-2-133
Lower resistor Resistenze inferiori	E	R-CMB-2-132
Safety thermostat Termostato di sicurezza	F	CE ELT03001300 UL ELT03003500
Transformer Trasformatore	F¹	ELT03000600
Electronic board Scheda elettronica	G	ELT03000100
Halogen lamp Lampada alogena	H	C32LAM-ZENO
Door Sportello	I	R-SPT-1-018
Red bricks Mattoni	J	TABLE DIAGRAM
Wiring Cablaggio	K	ELT03002500
Feet (n.4) Piedini	L	D14PIED-M10X25-2
Touch screen Schermo touch	M	ELT03000200
Temperature probe Sonda temperature	N	ELT03000300
Side shell R Carter Laterale Dx	O***	R-CRT-1-034
Side shell L Carter Laterale Sx	P****	R-CRT-1-035
Frontal hood Cappa frontale	Q	R-ARC-1-020
Stone sill Davanzale in pietra	R	R-DVZ02000100
Arch Archetto	S	R-ARC-1-010
Fan Ventola	T	ELT03000900
Eyebolt caps Tappi golfari	U	MNT03000700



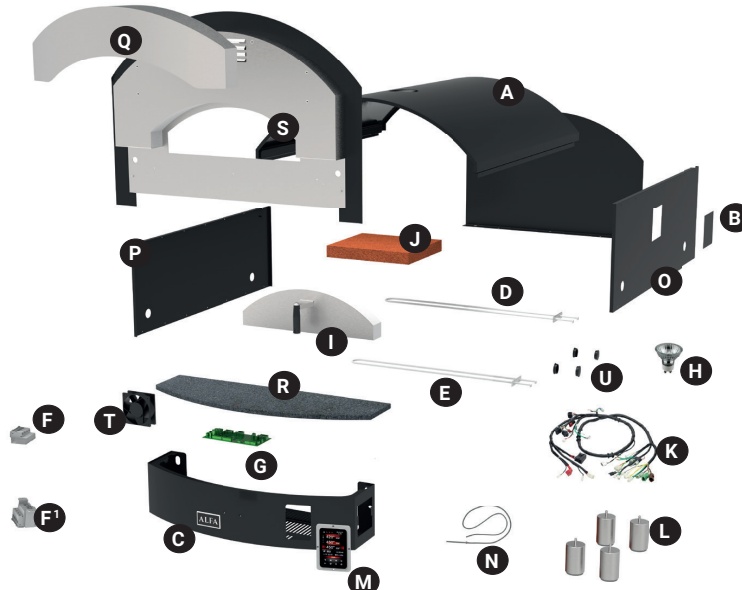
59331
(without stand)

Technical Drawing - 59322



	cm	inch		cm	inch
A	104	40,9	N	85,6	33,8
B	153,5	60,4	O	59	23,2
C	85	33,5	P	28,8	11,3
D	10	3,9	Q	51,85	20,4
E	39,37	15,5	R	96,6	38
F	17,75	7	S	3,55	1,4
G	55,5	21,9	T	110	43,5
H	14	5,5	U	7,55	3
I	4,5	1,8	V	7,33	2,9
K	22,2	8,7	W	33,3	13,1
L	12	4,7	Z	94,8	37,3
M	28,8	11,3			

Description	Code
Descrizione	Codice
External shell Up Carter esterno SUP	A' R-CRT-1-046
Lamp shell Carter lampada	B** CRT02003900
Logo Alfa (v1.0)	C D14PLAC-ALFA
Higher resistor Resistenze superiori	D R-CMB-2-133
Lower resistor Resistenze inferiori	E R-CMB-2-132
Safety thermostat Termostato di sicurezza	F CE ELT03001300 UL ELT03003600
Transformer Trasformatore	F' ELT03000600
Electronic board Scheda elettronica	G ELT03000100
Halogen lamp Lampada alogena	H C32LAM-ZENO
Door Sportello	I R-SPT-1-018
Red bricks Mattoni	J TABLE DIAGRAM
Wiring Cablaggio	K ELT03002600
Feet (n.4) Piedini	L D14PIED-M10X25-2
Touch screen Schermo touch	M ELT03000200
Temperature probe Sonda temperature	N ELT03000300
Side shell R Carter Laterale Dx	O*** R-CRT-1-047
Side shell L Carter Laterale Sx	P**** R-CRT-1-048
Frontal hood Cappa frontale	Q R-ARC-1-020
Stone sill Davanzale in pietra	R R-DVZ02000100
Arch Archetto	S R-ARC-1-010
Fan Ventola	T ELT03000900
Eyebolt caps Tappi golfari	U MNT03000700



59328
(with stand)

,*,****: see table on last page